

SnapGraphic Gripper™ - SN1 and SN2 Series

For ALL 96" wide grippers (SN19, SN29) or longer, the aluminum casing and plastic gripper are split in half.

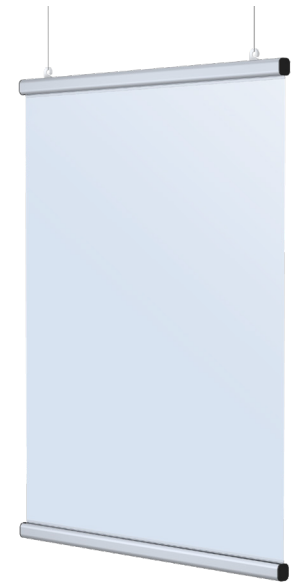
1. Insert graphic into open SnapGraphic™ plastic gripper.
2. **IF GRIPPER IS SPLIT IN HALF:** Place the joiner plates into the channels of one half of the housing, with the tabs facing away from each other as shown below, so the tabs dig into the aluminum. Using a soft mallet, hammer the joiners in half way. Place the second half of the aluminum housing onto the joiners attached to the first half of the aluminum housing. Use a soft mallet to hammer the second half of the aluminum housing onto the joiners.

If hanging from ceiling:

3. Insert SnapGraphic™ gripper into SnapGraphic™ gripper bar.
4. Insert hanging clips into SnapGraphic™ gripper bar top channel (top bar only).
5. Insert end caps into SnapGraphic™ gripper bar to complete assembly.

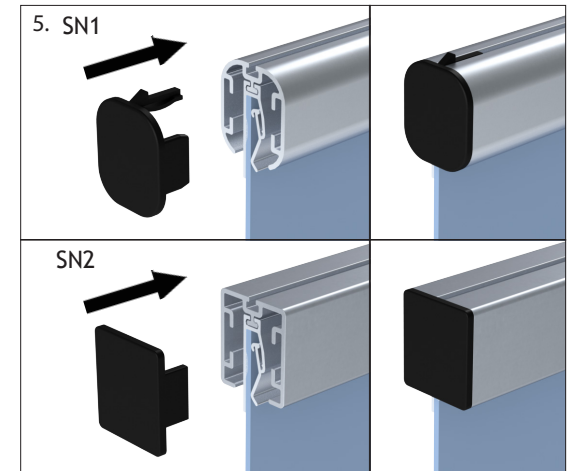
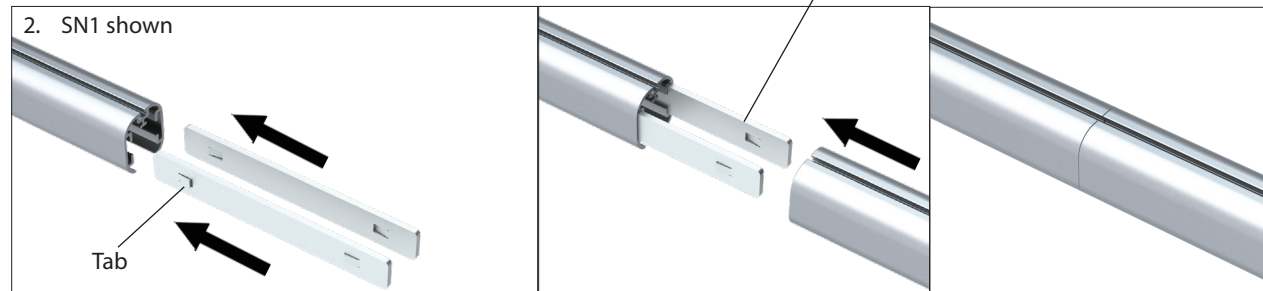
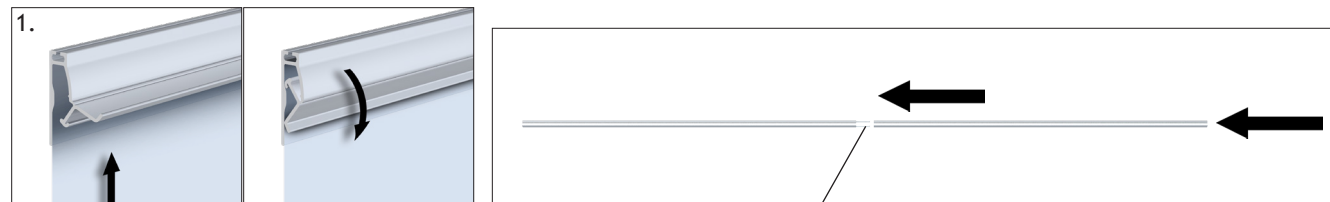
If mounting on a wall:

6. Slide wall mount brackets into SnapGraphic™ gripper bar inner channel.
7. Screw wall mount brackets into the wall using screws and molly anchor provided.
8. Insert SnapGraphic™ gripper into SnapGraphic™ gripper bar.
9. Insert end caps into SnapGraphic™ gripper bar to complete assembly.

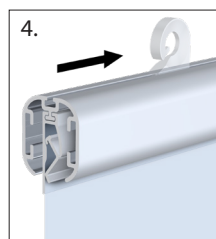
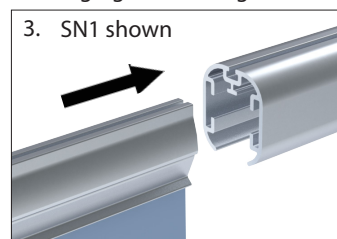


SN11 shown

NOTE: SnapGraphic™ gripper bar shown below may differ from your model, but instructions remain the same.



If hanging from ceiling:



If mounting on a wall:

